



STRIPCAT II



Strip-Till
Drill
Fertilise

**THE TCS
SPECIALIST**



SLY
AGRISEM

STRIP-TILL

WHAT IS STRIP-TILL ?

Strip-till is a conservation system which uses minimum tillage. It combines the soil-drying and warming benefits of conventional tillage with the soil-protecting advantages of no-till by disturbing only the portion of the soil that is to contain the seed row.

Strip-tilling works by creating a pathway and seedbed through the previous crop residue. Unlike other techniques, it moves the residue between the tilled rows to protect the soil. The strip-till makes a strip from 10 to 20cm wide and 5 to 30cm deep.

Strip-till time will depend on soil type, like in conventional tillage:

- heavy land (>20% clay):
autumn strip-till
- light soil:
spring strip-till



STRIP TILLING OFFERS THE SAFETY OF CONVENTIONAL TILLAGE AND THE SAVINGS AND AGRONOMIC ADVANTAGES OF NO-TILL

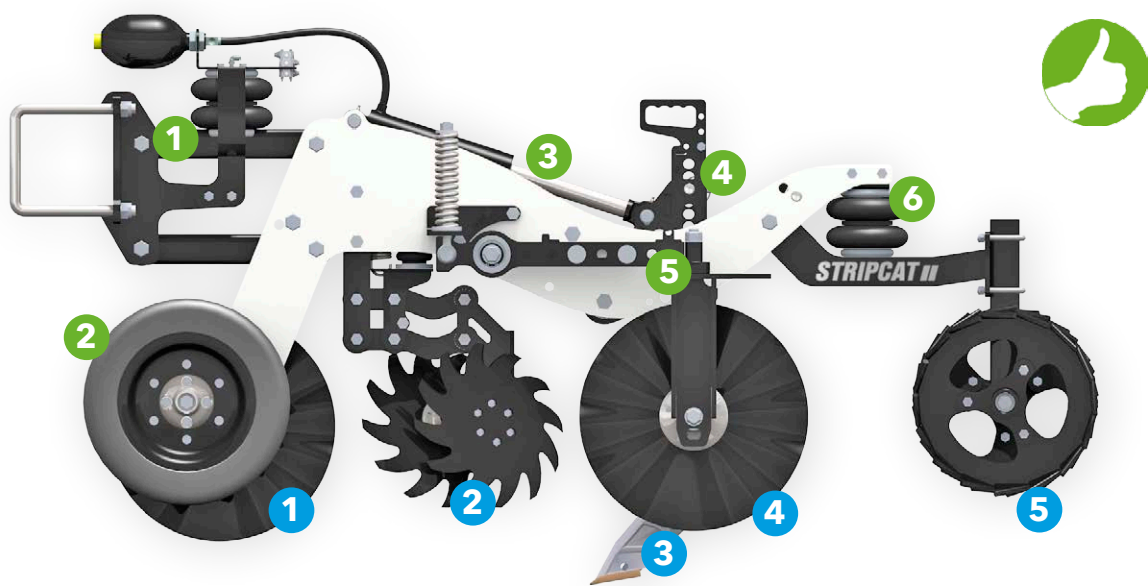
- ✔ Reduced fuel consumption up to 50L/ha
- ✔ Reduced fertiliser rate up to 30% thanks to localisation
- ✔ Improved water efficiency
- ✔ Improved soil warming compared to direct seeding
- ✔ More even stand
- ✔ Faster establishment
- ✔ Improved root system
- ✔ Easier management of cover crop

GROW MORE WITH LESS! WHICH CROPS...



ROW UNIT

- 1 Parallel linkage with adjustable down pressure
- 2 Gauge wheels
- 3 Non-stop hydraulic tripping (option)
- 4 Depth setting without tool
- 5 Independent birm builders with variable angle and width
- 6 Packing system with pneumatic down pressure



- 1 DISC OPENER Open the line and cut the mulch
- 2 TRASH WHEEL Clean the trash to create a clean strip (patented SUNCO sabertooth)
- 3 SHANK (6 models available) Work the soil and place dry and/or liquid fertiliser
- 4 BIRM BUILDERS Maintain the soil in place to create a nice birm
- 5 PACKING WHEEL (3 models available)

Pack the strip and crumble the soil to create an homogeneous seedbed

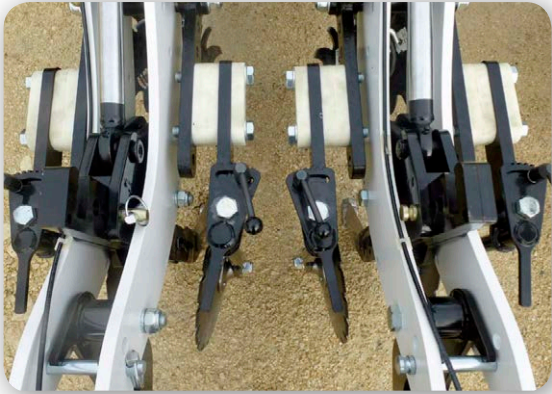


Finger wheel



Farmflex wheel

BUILT TO WORK & LAST IN THE TOUGHEST CONDITIONS



New birm builders

New birm builders allow an adjustment of the angle, width, and position of the discs without tools. This simple and robust system of shims allows repositioning to give a wider or narrower strip. This allows us to offer row spacing down to 45cm.

Floating SUNCO trash managers adjustable from the cab



Tool free adjustment of the working depth



Pneumatic springs

Pneumatic springs allow adjustment of both down pressure on the parallel linkage and lighter or harder packing on the rear.



Patented teeth and chisel spikes

Shield wear points adapted to both liquid and solid fertilisers. Interchangeable points allow a flexible and low cost approach to maintenance. Now available with tungsten carbide tip.



OPTIONAL

■ Non-Stop security system



■ Floating trash wheels



■ Dual disc kit & shank holder



■ Carbide point



ADDITIONAL EQUIPMENT

FERTILISATION KITS

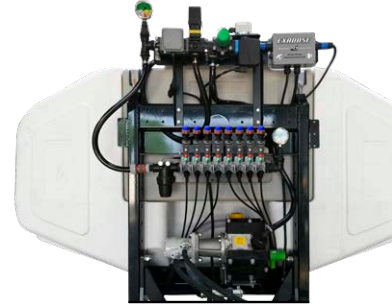
■ Tank

Available capacity 700, 1100, 1200, 1500, 1850 (2 products) or 2000L



■ Exadose Regulation

- 2 models, 15 or 75l/mn
- Fittings, couplings
- GPS and on/off switch
- Software for IOS or Android



■ Liquid fertilisation kit

- WILGER Ball Flow Indicators
- 1 set of nozzle at the user's choice
- connections
- assembly on StripCat



■ Solid fertilisation kit

- Simple (63mm) or double outlet (2x32mm hose)
- manifold Ø 100mm
- air release (1 per hose)
- assembly on StripCat



■ Double injection Kit

For solid or slurry kit



■ Slurry Injection kit

- Hexacut head mont
- Teeth equipment



SEEDING UNITS

Bogie seeding system tailored to rape or cover crop seeding. Can be mounted with packing unit or without to leave a smooth birm fall tillage.

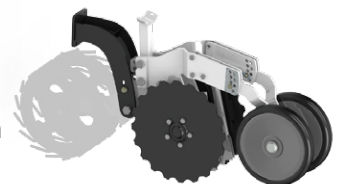
■ Single row seeding unit

Centered or offset seeding. Packing wheel measurements: 300x100mm



■ Twin row seeding unit

Seed in the edges of the strip for dual cover crops or rape seed: spacing from 17 to 23cm. Packing wheel measurements: 300x50mm



■ Twin row (no bogie)

Allow you to seed while leaving a smooth birm (autumn work).



ADDITIONAL EQUIPMENT

OPTIONAL EQUIPMENT

- **Heavy duty markers**



- **Hopper access footbridge**



- **Pneumatic Brakes**



- **Hopper**
Please consult us for further information



- **Lights**

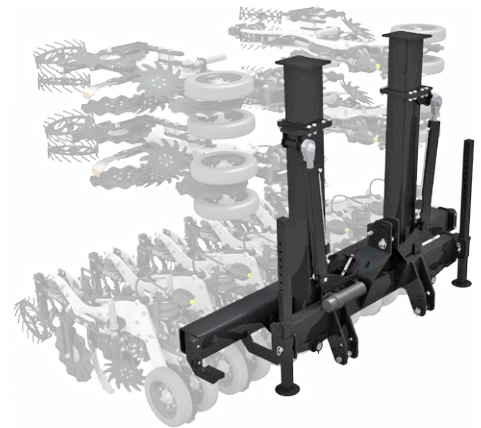


- **Rear linkage Cat 3-4 T**



OPTIONAL FRAME

- **Three point hitch mounted folding frame**
From 3 to 9m, 2,9m on the road



- **Trailed kit**
Up to 6m



- **Trailed Folding frame**
Over 6m



THERE IS A STRIPCAT FOR EVERY FARMER

Rigid, vertical, or trailed folding frame allows many configurations. Now the Stripcat is available from 4 to 16 rows and from 45 to 80 cm spacing, while maintaining a road width of 3 metres.



16 rows 76cm, trailed for grain maize and sunflower

12 rows 45cm with seeding units for rape seeding



6 rows 50/80cm for oilseedrape and maize

12 rows 75cm for slurry injections



18 rows 45cm with seeding units

12 rows 50cm for maize seeding after rye silage

HAVE YOU SEEN OUR OTHER PRODUCTS?



BOSS
NO-TILL DRILL



FERTILL
LIQUID FERTILIZER CONTROLLER




 Precision
Planting®

Your Dealer:

 slyfrance.com

 +33(0)5.53.40.32.95  contact@slyfrance.com

 SLY SAS • "La madeleine" - BOURNEL, 47210, France

 agrisem.com

 +33(0)2.51.14.14.40  agrisem@agrisem.com

 AGRISEM • 535 rue Pierre Levasseur - ANCENIS, 44158, France

