

# BOSS



NO-TILLSPECIALIST  
No-Till Drill  
Minimum Tillage





# COMPANY

AGRISEM is a french company born in the mid 90s, specialized in the design, manufacture and sale of TCS tools for tillage, fertilization and sowing. Our main focus is to help the farmer get the most out of his most important tool: the soil.

The BOSS has been elaborated in Lot & Garonne - France by Mister Cyrille Geneste a farmer. The advantage of being real min-till and no-till farmer, is that you are aware of the reality of the job itself, in and out of the field.

We stain for our vision of sustainable farming. Minimum and No tillage practices are what we believe in. Our everyday work is to imagine, develop and manufacture machines which will help you to perform with new challenges.



The main AGRISEM innovations are focused around two main aims :

- The shallow work for managin organic material, fertility of soil and seedbed preparation we have designed a range of machine with that spirit.
- The deeper loosening for geting the best of structure of soil, without minreal losses, in order to give the plant the good condition for growth.
- Precision sowing to plant crops in the best conditions, fertilize as accurately as possible thanks to versatile tools.
- More recently, AGRISEM continues its development with new solutions for viticulture and conservation agriculture.



# A UNIT REDESIGNED TO PERFORM IN ALL CONDITIONS

Conservation agriculture is at the heart of our concerns. This no-till drill is the result of a long period of collaboration with experienced no-till drill farmers.

The great strength of the product is its double angled disc which reduce the down pressure requirement (need for pressure to open the soil) thus facilitating penetration and reducing the seed furrow compaction. This ensure a great furrow quality : clean and less pack or even « unpack », which will allows a seed germination and root development.

The angled attack greatly reduces the phenomenon of straw in the furrow and closure is made easier.



## THE SEED DRILL THAT YOU ACCOMPANIED AT YOUR RHYTHM

We know that to succeed in agriculture, one must be able to evolve and adapt. Every year is unique or exceptional. Whether you are currently using Conservation Agriculture Systems (TCS) and wish to transition to no-till seeding, or if you are an advanced no-till farmer, the BOSS is an exceptionally versatile tool.

The BOSS can operate in all conditions, whether it's no-till seeding on extremely dry or wet soil, or conventional or simplified seeding, thanks to its unique gauge/closing wheel and hydraulic downforce.

The BOSS is available from 3 to 12 m. It comes with a variety of chassis options, including single-mounted or trailed single-row or double-row trailed. The new compact unit offers row spacing of 15, 16,7, 18,75, 20, 25 ou 33 cm, depending on the chassis configuration.



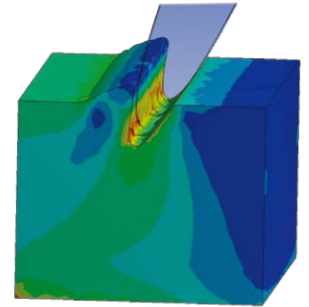


# WHY THE BOSS? THE FINDINGS

In both Conservation Tillage System (TCS) and No-Till, the main concern is the difficulty of penetration. In dry conditions, there is a challenge in furrow closure, and in wet conditions, there is an issue of straw at the bottom of the furrow. Our inspiration comes from another disc seeder concept widely developed in Australia: the double-angled disc, which addresses several issues.

## A SOLUTION: THE SELF-PENETRATING DISC

With this design, the need for pressure to open the soil is much lower, and it provides an excellent furrow quality: cleaner and uncompacted, allowing for easier and faster root development.



# THE EVOLUTION: AN ANGLED DISC FOR TCS AND NO-TILL

## BOSS

A compact version for use in Conservation agriculture. The angles have been reworked to provide sufficient penetration and very low disturbance expected in worked soil conditions.

This new row is available in a single-row seeder at 25cm or a double-row seeder starting at 16.7cm.

Finally, a "Narrow" version opens the doors to single-row seeding at 20cm and double-row seeding at 15cm for even more conventional use.



## BOSS HD

The original, revisited. With its naturally extraordinary penetration capability, it remains essential for any engaged or cover crop-based No-Till system. The self-penetrating design guarantees in these complex systems low straw content in the furrow, passage in extreme conditions, and optimal closing.



# BOSS AND BOSS HD: A COMMON PLATFORM

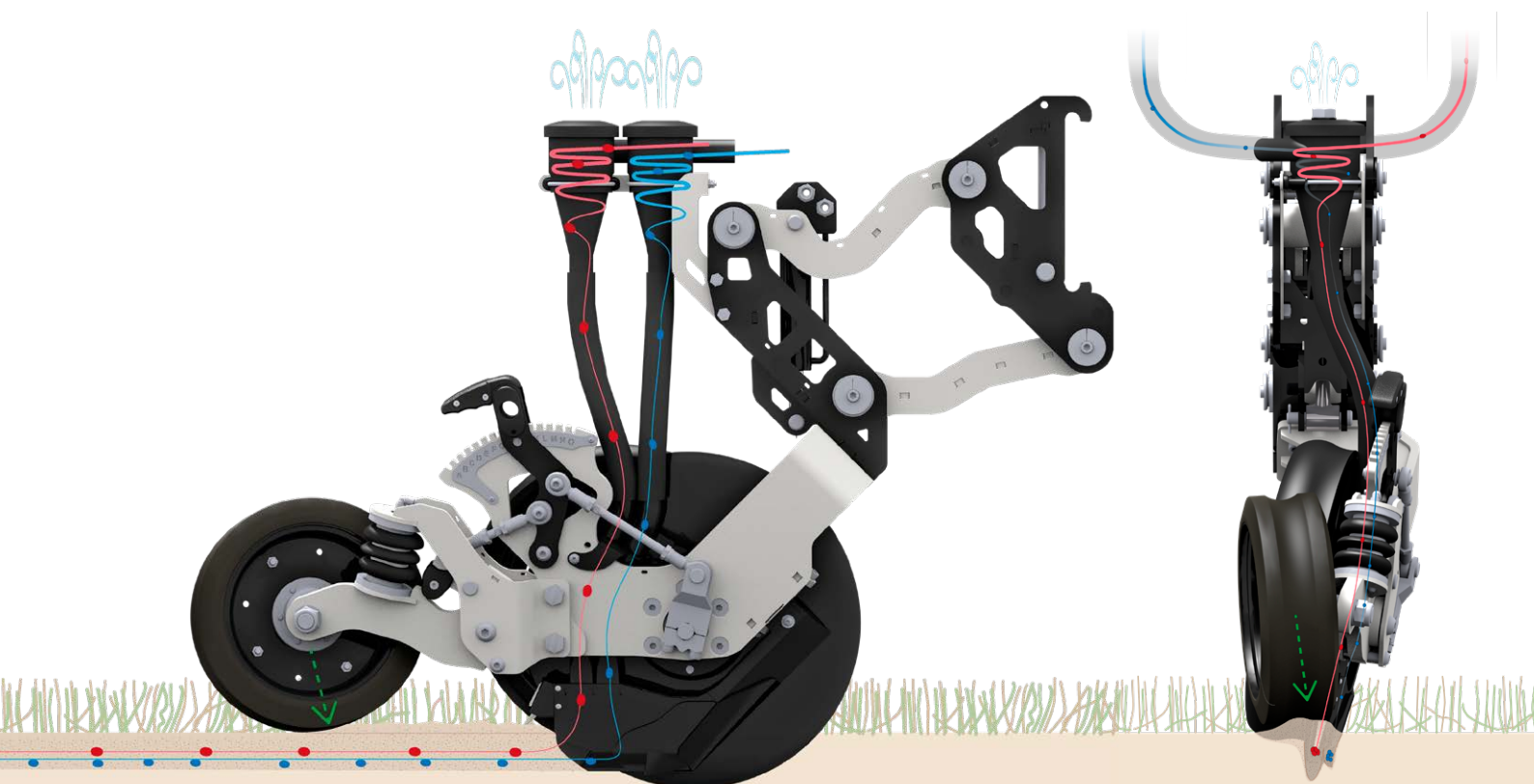
The new row units supporting the inclined disc benefit from a completely rethought seedboot to guarantee ultimate precision and regularity in seeding depth.

As an option, a finned seedboot allows for the placement of solid fertilization in a furrow separate from the seeding furrow.

A reinforced parallelogram, with bearings and increased travel (400mm), ensures ground tracking and optimal lifespan.

BOSS and BOSS HD are equipped with an active depth control system that allows for consistent depth, whether in light Conservation Tillage conditions or very dry No-Till conditions, without soil disturbance.

EASYDEPTH: A reimagined depth adjustment that acts on both wheels. This precise system offers easy tool-free depth adjustment from 0.5 to 10cm using a trigger. EASYDEPTH retains the efficiency of the previous element for lateral gauge adjustment for small seeds and wheel control adjustment for challenging conditions. It also ensures the necessary pressure adjustment in all conditions through its pneumatic assistance controlled from the cabin.

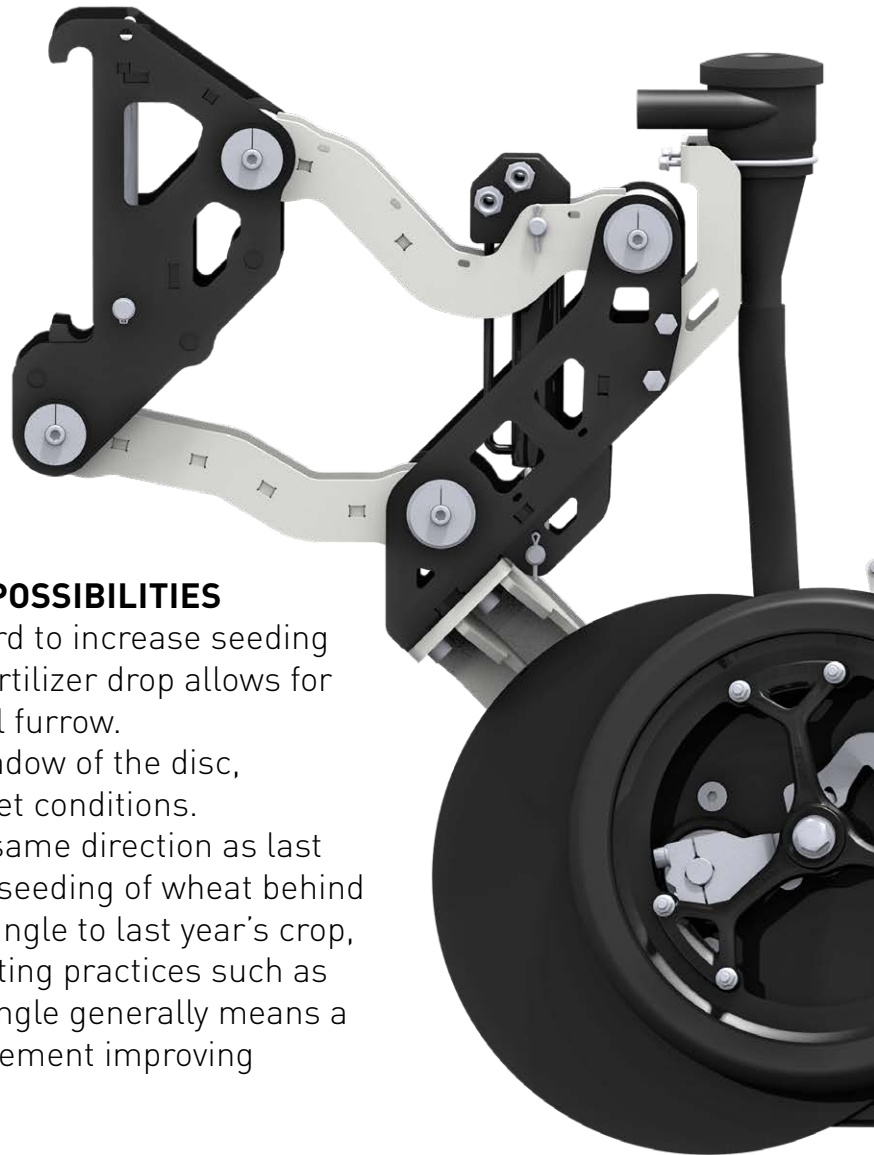


# THE SEEDING UNIT



## A NEW GEOMETRY

A more compact unit while retaining the robustness of the original unit. This compactness allows for mono-row mounting on a carried or trailed chassis at standard spacing, expanding the operability of this unit. The BOSS is capable of seeding in conservation tillage, No-Till, or conventional modes.



## NEW SEEDBOOT WITH EXPANDED POSSIBILITIES

Two integrated seed drops as standard to increase seeding possibilities. Optionally, a separate fertilizer drop allows for solid fertilizer placement in a parallel furrow. The seed drops are located in the shadow of the disc, providing excellent performance in wet conditions. This design allows for drilling in the same direction as last year's corn rows, for example, direct seeding of wheat behind corn. If you do not need to run at an angle to last year's crop, there is a better chance of implementing practices such as CTF (controlled traffic farming). No angle generally means a smoother travel and better seed placement improving emergence and therefore yields.



## AND ENHANCED LIFESPAN

The height-adjustable seedboot compensates for disc wear. The materials used and increased material thickness also extend its lifespan.

## HYDRAULICALLY CONTROLLED PARALLEL ARM: PERFECT TRACKING

The parallel arm with an extended range of 400mm is suspended by compensated hydraulic pressure, adjustable from the cabin.

## AIR RELEASE DEVICE

Standard equipment, it removes all the air from the pneumatic transport, allowing the seeds to fall by gravity to the bottom of the furrow to prevent bouncing.

## INTERNAL SCRAPER AS STANDARD

It ensures passage in the most challenging wet conditions.

## SEED FIRMER

The gardener's helping hand ensures soil-seed contact at the bottom of the furrow.

## EASYDEPTH, AN INTELLIGENT DEPTH AND PRESSURE ADJUSTMENT SYSTEM

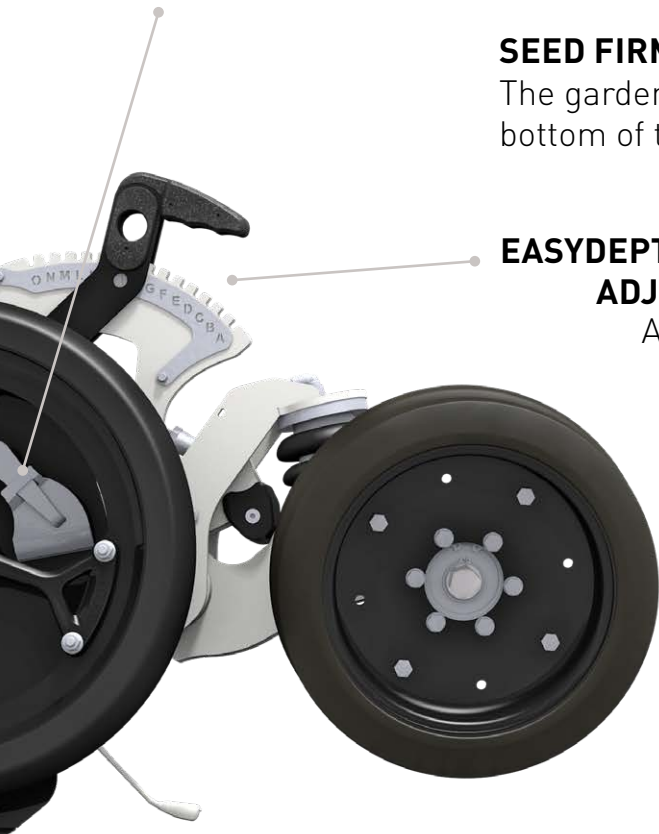
A single EASYDEPTH adjustment point synchronously adjusts the side wheel and pressure wheel, expanding seed placement options to adapt to the most extreme conditions.

The pneumatic pressure assistance of EASYDEPTH allows for very precise control to avoid excessive compaction or imperfect furrow closure.

## CLOSING WHEEL

The pressure wheel is a crucial component of your seeding success. Its function is to effectively close the furrow and, in the case of the BOSS, control the working depth.

Several types of wheels are available to perfectly adapt to your conditions.





## SINGLE-ROW FRAME SPACING 20, 25, 33, 37 CM

Mounted single-row from 3 to 7 m  
 Optionnal DSF 1600, 2200 2500 L  
 front tank and small seed tank DS 200



Trailed single-row from 9 to 12 m  
 Pressurized tank : 6400 and 4300 l tanks.



## DOUBLE-ROW FRAME SPACING 15, 16,7, 18,75, 20, 25 CM

Mounted double-row from 3 to 6 m  
 Optionnal DSF 1600, 2200 2500 L  
 front tank or integrated tank of 1600, 2200 l  
 double or triple products



Trailed double-row from 3 to 4 m  
 Integrated tank 1600, 2200, 3200 L  
 double or triple products



Trailed double-row from 3 to 7 m  
 From 1 to 3 pressurized tank of 1200 or 2000l (solid or liquid) and small seed tank of 280l



## LIQUID FERTILISATION EQUIPMENT

- Tank, Available capacity 700, 1100, 1200, 1500 or 2000L.
- LiquidXConect Regulation
  - 2 models, 15 or 75 l/mn
  - Fittings, couplings
  - GPS and on/off switch
  - Software for IOS or Android



- Liquid fertilisation kit: WILGER Ball Flow Indicators + connections + 1 set of nozzle at the user's choice + assembly







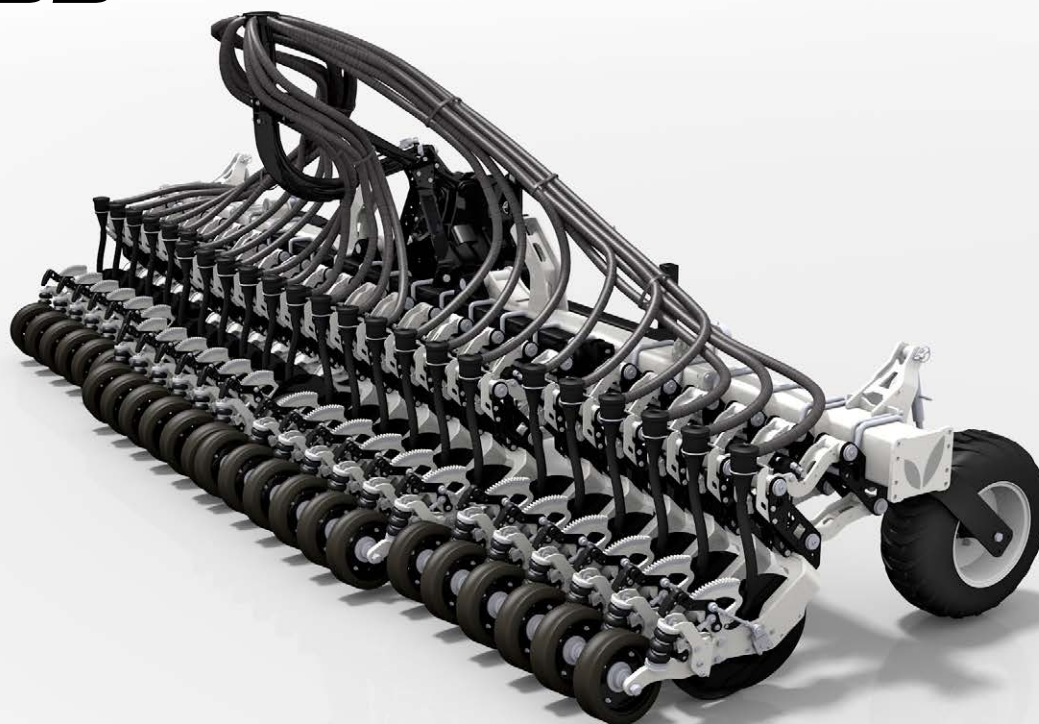






# MOUNTED SINGLE-ROW FROM 3 TO 7 M

## **BOSS**



An efficiently mounted frame, available with 20, 25, and 33cm row spacings, up to 7 m in width, fixed or foldable.

The front hopper is an essential addition to choose from the wide range of AGRISEM (from 1500 to 2500 L in single, double, or triple products).

ROW	SPACING		
	20 CM	25 CM	33 CM
8	WIDTH (CM):		264
10			330
12		300	396
14		350	462
16	320	400	528
18	360	450	594
20	400	500	660
22	440	550	
24	480	600	
26	520	650	
28	560	700	
30	600		

Fixed or Foldable Frame



# MOUNTED DOUBLE-ROW

A versatile mounted chassis capable of sowing in all common row spacings, with options for the entire range of AGRISEM front hoppers or an integrated tank from 1600 to 2500 L for double or triple products.

Optional front hopper: from 1000 to 2500 L single, double, or triple compartment

Pressurized DSF2500, compartmentalized into 2x1250 L

DSF2200 divided into 2x1100 L

DSF1600 divided into 2x800 L

DSF1000 divided into 1x1000 L

Integrated hopper for double or triple products

DS 2200 divided into 2x1100 L

DS 1600 divided into 2x800 L

Dosing units: electrically driven, pneumatic transport system

Flap system for differentiated distribution of 2 products

Regulation: ISOBUS

Speed: GPS

Transport width: 2.99 m





# FROM 3 TO 6 M

## **BOSS**



### SPACING

ROW	15 CM	16,7 CM	18,75 CM	20 CM	25 CM
12	<b>WIDTH (CM):</b>				
14					300
16			300	320	400
18		301	338	360	450
19	285 Odd*				
20	300 Even	334	375	400	500
22			413	440	550
24		401	450	480	600
26		434	488	520	
27	405 Odd*				
28	420 Even	468	525	560	
30	450 Even	501	563	600	
32		534	600		
34	525 Odd*	568			
35					
36		601			
38	600 Even				
40					

Odd configurations offer the possibility of sowing in 5 / 7 and 9 rows at 60 cm with the same machine.



## THE MBOSS A FULLY EQUIPED SEED DRILL

The custom-made chassis has a rolling gauge of 2.99m for France and a maximum of 4m for abroad. The mBOSS is fitted as standard with all options on the row. Like the big ones but small size!

It can be equipped with 3 different size of double product hopper, from 1600 to 3200L. An additionnal small hopper DS 200 and/or a 22L hopper for small seeds for incorporation in the dosing units can be fitted as well.

The doser is electrically driven with a pneumatic transport system and a shutter system for a differentiated distribution of 2 products.

The ISOBUS regulation associated with the GPS speed allow you to connect a controller according to your needs (A-Touch: Latest generation terminal, tactile with precision farming functions, or A-Manager), and combine it with a radar and a 120 ° infrared camera.





FROM 3 TO 4 M

# BOSS



## SPACING

ROW	16,7 CM	18,75 CM	20 CM	25 CM
12	WIDTH (CM):			300
14				
16		300		400*
18	301			
20			400*	
22		413*		
24	401*			

Divided hopper: from 1600 to 3200L

DS3200 2x1600L with x 2 dosing unit (4xØ70mm)

DS2200 2x1100L with x 2 dosing unit (4xØ70mm)

DS1600 2x800L with x 2 dosing unit (4xØ70mm)

Independent distribution of 2 products and distribution heads

Electric dosing unit, pneumatic distribution by air flow

Electronic or ISOBUS control computers

Compatible with DGPS receiver

Transport width: 2,99m

\* 4meter model not road homologated in France,  
please check the regulations that apply in your country



# THE BOSS, A VERSATILE SCALABLE SEEDER THAT ACCOMPANIES YOU IN YOUR DEVELOPMENT

Its design is based on the modularity of its chassis. Available as standard in 3m you can upgrade your BOSS by adding wing extensions to reach up to 7m90 wide!

In the same way you can start with just one central hopper and add other ones, small seed tanks, liquid or solid fertilisation tanks (front or rear) later according to your needs and your development schedule.

The elements, fully adjustable without tools, allow flexibility of use and ease of settings to adapt your work very precisely according to the field conditions encountered.





FROM 3 TO 7M

# BOSS



## SPACING

ROW	16,7CM	18,75CM	20CM	25CM
12	WIDTH (CM):			300
14				350
16		300	320	400
18	301	338	360	450
20	334	375	400	500
22		413	440	550
24	401	450	480	600
26	434	488	520	650
28	468	525	560	700
30	501	563	600	750
32	534	600	640	
34	568	638	680	
36	601	675	720	
38	635	713	760	
40	668	750		
42	701	788		
44	735			
46	768			

Pressurized hoppers: 1,2 or 3 hoppers of 1200 or 2000 liters each. Hopper small seed: 200 litres  
 Electronic regulation: Standard with hoppers - ISOBUS Compatible  
 Transport width: 2,99m



## THE BIG BOSS, THE LARGE-SIZED SEED DRILL FOR LARGE SOWING

From 7m to 12m, you take advantage of its large carrying capacities to sow very large areas and achieve significant economies of scale.

The Big BOSS is designed for large spaces and allows the integration of all the specific equipment of AGRISEM technologies in the field of direct seeding: undercut disc, lateral gauge, hydraulic depth control, adjustment of the rear gauge and its possibilities of liquid fertilization.

Despite its size, the Big BOSS remains easy to use on a daily basis with its hydraulically-controlled folding maneuvers and its 2m99 width for road transport.





FROM 7 TO 12M

# BOSS



## SPACING

ROW	20CM	25CM	33CM
28	WIDTH (CM):		891
30			957
32			1023
34		850	
36		900	1155
38		950	
40		1000	
42		1050	
44	880		
46	920		
48	960	1200	
50	1000		
52	1040		
54			
56			
58			
60	1200		

Pressurized hoppers: 1,2 or 3 hoppers of 1200 or 2000 liters each. Hopper small seed: 200 litres  
 Electronic regulation: Standard with hoppers - ISOBUS Compatible  
 Transport width: 2,99m

535 rue Pierre Levasseur - CS 60263  
44158 ANCENIS - FRANCE

T. +33 (0) 2 51 14 14 40

[www.agrisem.com](http://www.agrisem.com)  
[agrisem@agrisem.com](mailto:agrisem@agrisem.com)

#YellowTeam



*Your dealer:*