

SCALP



TCS SPECIALIST
Scalp
Hoe
Till

SCALPING, SEEDING, FERTILISING

SINGLE BLADE INNOVATIVE WEED CONTROL

In all conditions in organic farming. Weeding under cover crops or residue.

FULL SCALPING - STUBBLE CULTIVATION - SEEDBED PREPARATION

Under crops or cover crops with perfect ground following. Water & crops management.

SEED DRILL & STRIP SOWING

Autumn cereal or summer and fall cover crop.

SOLID OR LIQUID SIDE DRESSING

During scalping the blade applies nitrogen close to the roots on each side.

MODULAR & SCALABLE FRAME from 4 to 24 ROWS

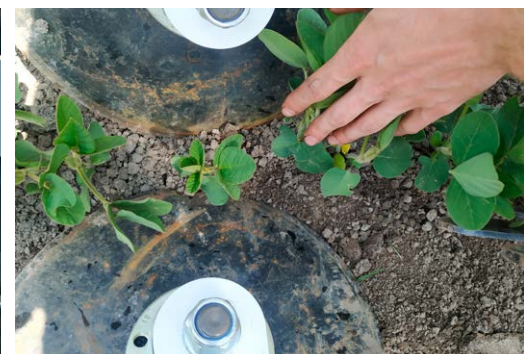
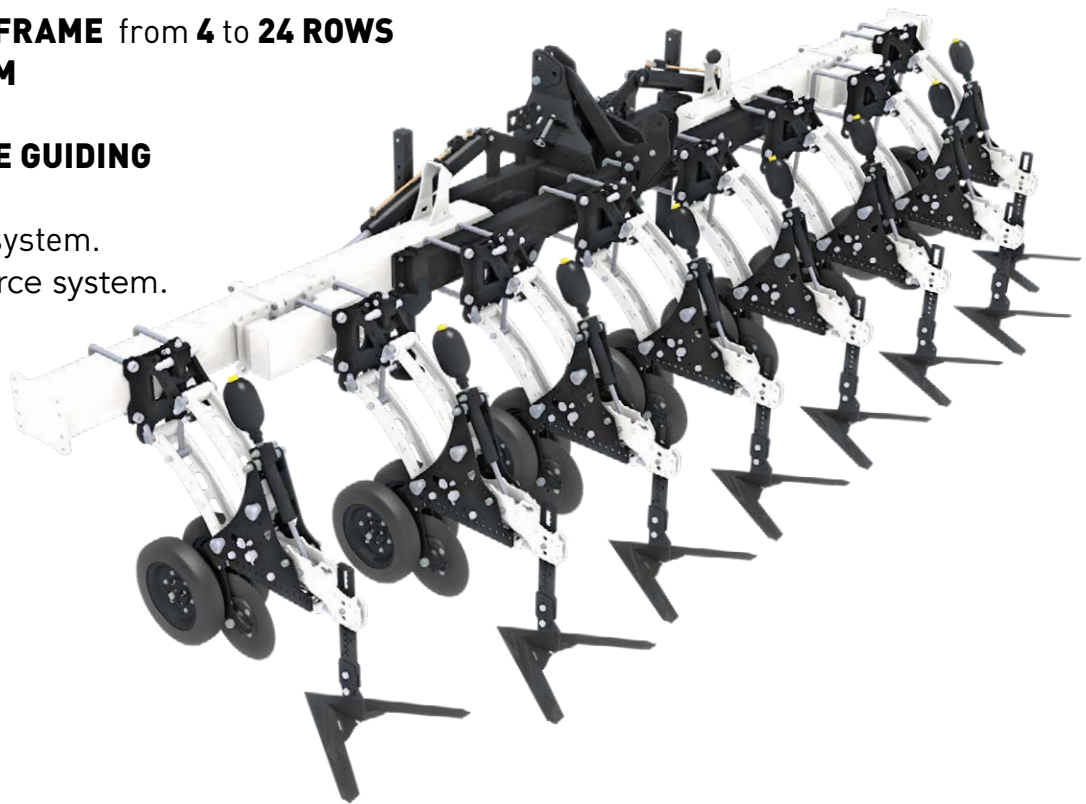
SPACING from 50 to 80 CM

ISOBUS LATERAL ACTIVE GUIDING

by camera or GPS.

GPS Row-by-row cut-off system.

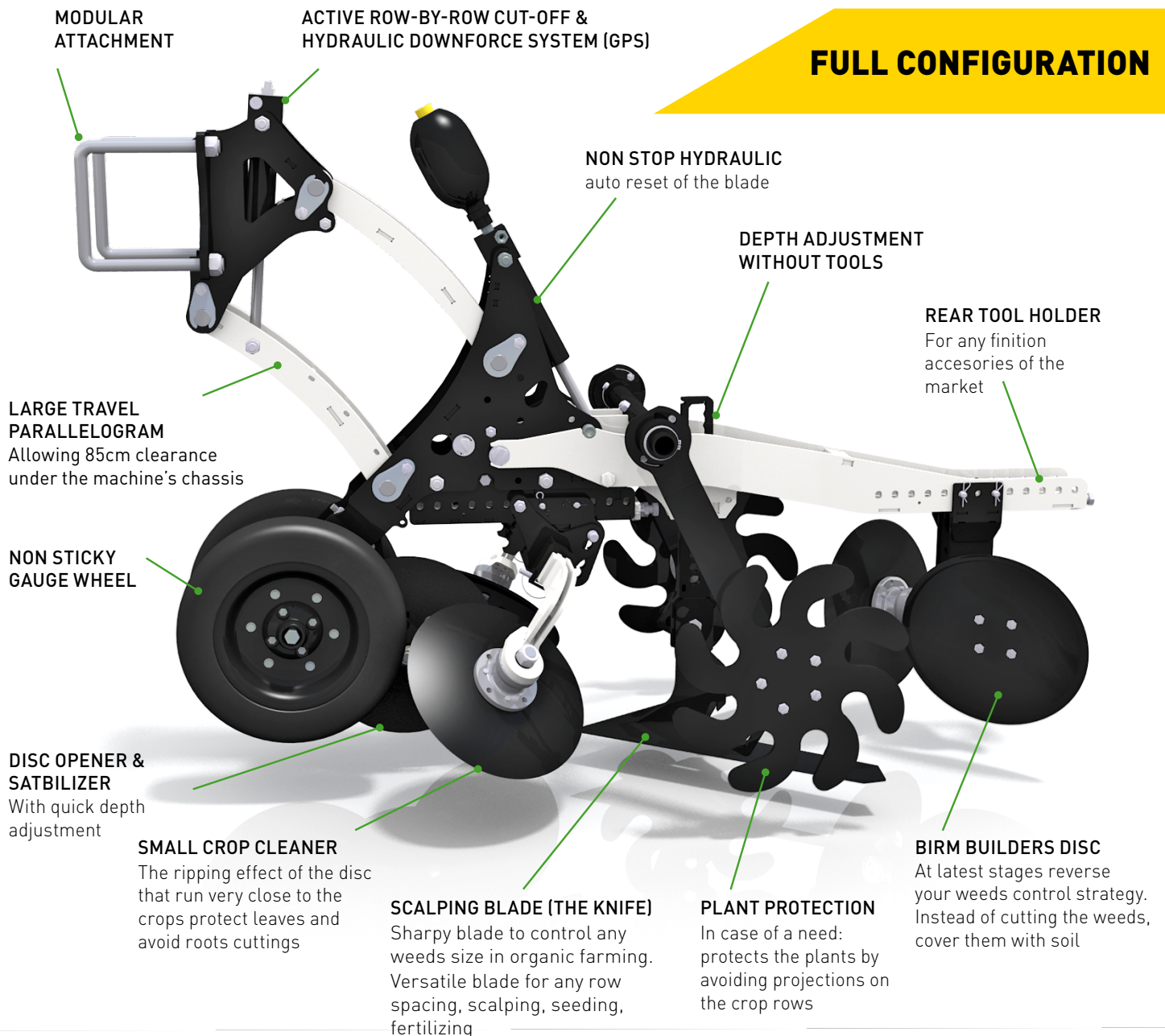
Active hydraulic downforce system.



ROW UNIT



- 1 Base unit, single blade to do everything
- 2 Quick attach tool holder with innovative settings memory for every accessories
- 3 No tools attachment for lateral accessories
- 4 Easy attach holder for late stages and other tools

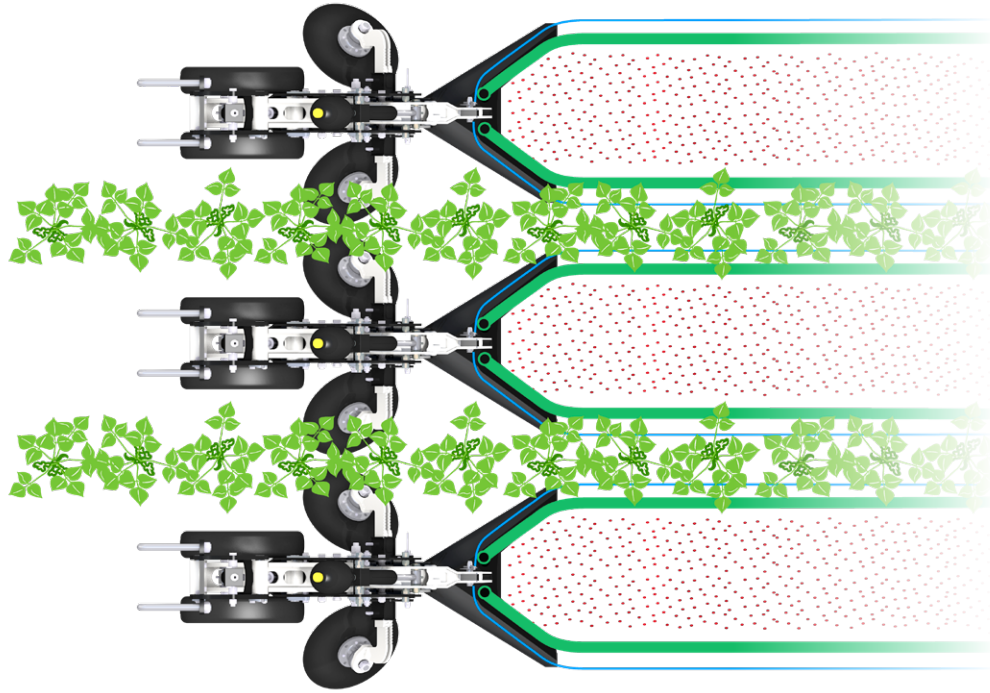


A POWERFUL TOOL FOR CONSERVATION FARMING

HOE

Single blade hoeing to control weeds population.

Much more aggressive system than a standard multi-tine hoe, which allows a drastic reduction of passes because you can control even large weeds.

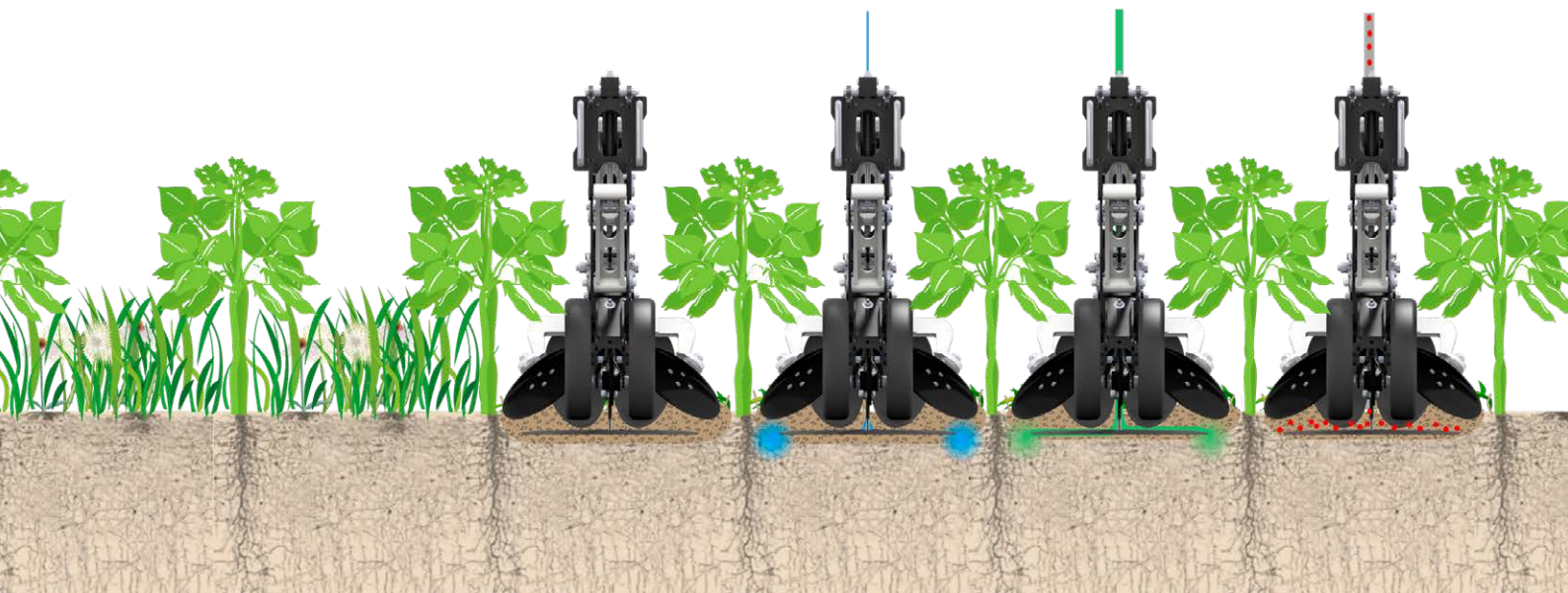


- **SEEDBED PREPARATION & COVER CROPS STRIP SOWING**

During hoeing the Scalp prepares the seedbed and establishes cover crops in the ground. AGRISEM's environmental vision: providing solutions to manage cover or any small crops and thus store carbon in the ground and promote soil life.

- **LIQUID SIDE DRESSING &**
- **SOLID SIDE DRESSING**

Apply the right rate in the right place, close to the roots, with GPS modulation rate control. The Scalp provides excellent nitrogen placement for main crop. Nitrogen saving reach farming scale, with positive environmental impact.





Example: wheat in relay cropping from seeding in october to har-

- The lack of a viable solution for mechanical weeding led AGRISEM to develop a **new innovative single blade machine technic**. Penetration, crop residue and tall weeds have always been a problem for any scalper or weeding machine. The Scalp technique is suitable **for all working conditions from conventional to No-TILL** and particularly in the presence of plant cover.
- Organic farmers need machine for **full scalping**. Manufacturers have therefore modified their cultivators into very long machines that produce soil mixing which leads to carbon losses in the soil. The Scalp with its sharp blade and ground following provides a short machine that does not mix up soil layers and achieves a complete scalping.
- Combining his long experience as a seed drill manufacturer and his vision of conservation farming, Agrisem and a group of farmer worked on a new farming system to produce one or **two crops a year**. With carbon catching, soil preservation, water saving and nutrient optimization, the Scalp naturally position itself as a particularly innovative machine for **seedbed preparation** and as a **seed drill**.
- Our vision of green farming with the Scalp is also to find an alternative solution to herbicides for **weeds control**.
- The Scalp drives a new stage in **carbon storage**. The very low soil disturbance produces only active mineralization of crop residues, which are converted to soil carbon.
- Recurring droughts push us to find a way to **keep water in the ground** by two levers: 1 st, capillary break to stop water absorption by weeds, 2 nd, to work in cover crop and soil residues conditions that prevent evaporation.

THE BEST OF SINGLE BLADE

Full scalping under heavy residue to save groundwater. Weeding under crop residue or cover crops, can eliminate any type of plants. Hoeing in crop at a very late stage without damaging it. The ideal replacement for Glyphosate !

Scalp in ryegrass where chemistry does not bring effective results

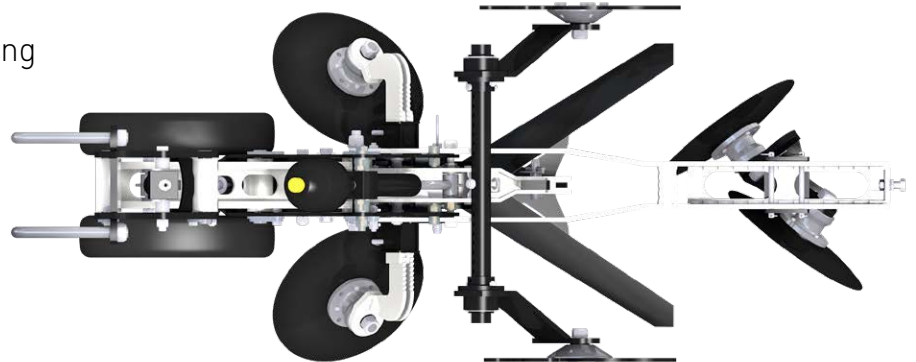


ROW UNIT

PRIORITY TO MODULARITY



- Parallelogram with 50cm travel for ground following on single row and individual lift to avoid damaging crops in the headland.
- Non-stop hydraulic auto reset of the blade
- Isobus & gps control
- RTK & camera guiding
- Lateral sliding to keep the right track of the row
- Individual row by row & blade lifting
- Retractable gauge wheels



MOUNTED CHASSIS

Mounted HD

From 3 to 12m



Foldind frame

From 3,5 to 7,5m
(3m on road)



Foldind frame HD

From 5,7 to 9m
(3m on road)





IT'S TIME FOR AGRISEM GREEN FARMING VISION

SCALP IS A PART OF IT,
OPTIMIZING **CARBON** STORAGE
OPTIMIZING **WATER** STORAGE
AN ALTERNATIVE TO HERBICIDE
SAVING INPUTS BY OPTIMISING PLACEMENT
IMPLEMENTING A **BIODIVERSITY** FARMING SYSTEM

535 rue Pierre Levasseur - CS 60263
44158 ANCENIS - FRANCE

T. +33 (0) 2 51 14 14 40

www.agrisem.com
agrisem@agrisem.com

#YellowTeam



Your Dealer: