

# BOSS



NO-TILLSPECIALIST  
No-Till Drill  
Minimum Tillage



# COMPANY

AGRISEM is a french company born in the mid-1990s, specialized in the design, manufacture and sale of tools for conservation agriculture, including tillage, fertilization and sowing. Our main focus is to help the farmer get the most out of his most important tool: the soil.

The BOSS has been elaborated in Lot & Garonne France by Mister Cyrille Geneste a farmer. The advantage of being real min-till and no-till farmer, is that you are in-touch with the reality of the job itself, in and out of the field.

We stain for our vision of sustainable farming. Minimum and No tillage practices are what we believe in. Our everyday work is to imagine, develop and manufacture machines which will help you to perform with new challenges.



The main AGRISEM innovations are focused around two main aims :

- The shallow work for managing organic material, fertility of soil and seedbed preparation we have designed a range of machine with that spirit.
- The deeper loosening for getting the best of structure of soil, without mineral losses, in order to give the plant the good condition for growth.
- Precision sowing to plant crops in the best conditions, fertilize as accurately as possible thanks to versatile tools.
- More recently, AGRISEM continues its development with new solutions for viticulture and conservation agriculture.

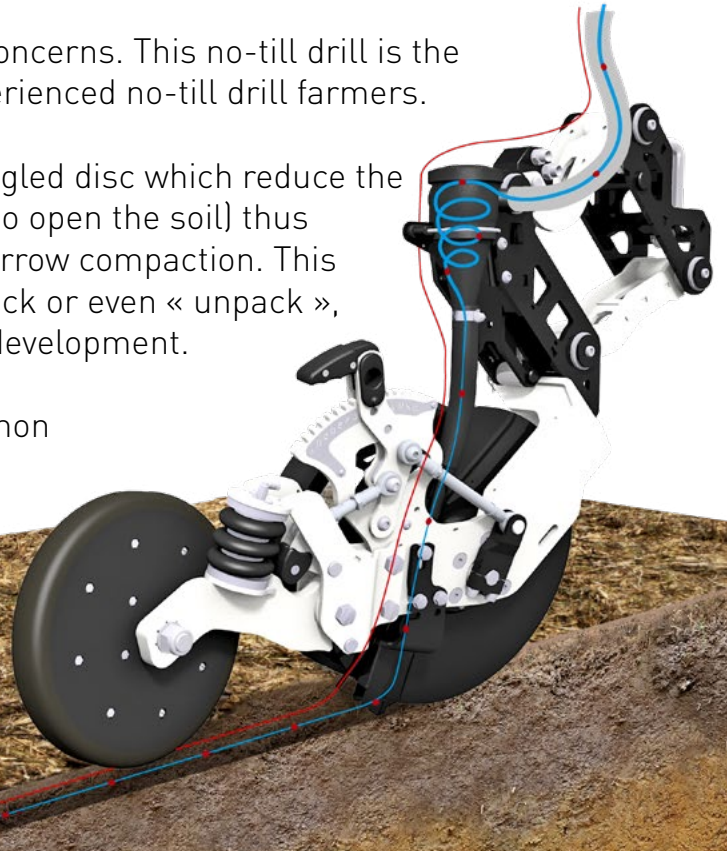


# AN ELEMENT OPTIMIZED FOR HIGH PERFORMANCE IN ALL CONDITIONS

Conservation agriculture is at the heart of our concerns. This no-till drill is the result of a long period of collaboration with experienced no-till drill farmers.

The great strength of the product is its double angled disc which reduce the down pressure requirement (need for pressure to open the soil) thus facilitating penetration and reducing the seed furrow compaction. This ensure a great furrow quality : clean and less pack or even « unpack », which will allows a seed germination and root development.

The angled attack greatly reduces the phenomenon of straw in the furrow and closure is made easier.



## THE BOSS ACCOMPANIES YOU AT YOUR OWN PACE.

We know that to succeed in agriculture, one must be able to evolve and adapt. Every year is unique or exceptional. Whether you are currently using Conservation Agriculture Systems (TCS) and wish to transition to no-till seeding, or if you are an advanced no-till farmer, the BOSS is an exceptionally versatile tool.

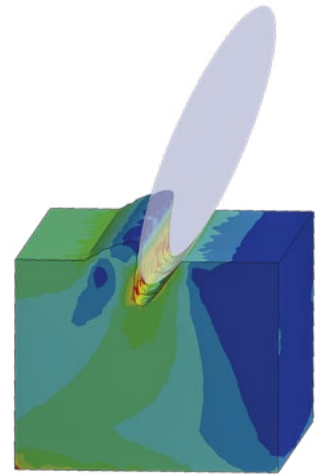
The BOSS can operate in all conditions, whether it's no-till seeding on extremely dry or wet soil, or conventional or simplified seeding, thanks to its unique gauge/closing wheel and hydraulic downforce.

The BOSS is available from 3 to 12 m. It comes with a variety of chassis options, including single-mounted or trailed single-row or double-row trailed. The new compact unit offers row spacing of 15, 16,7, 18,75, 20, 25 ou 33 cm, depending on the chassis configuration.

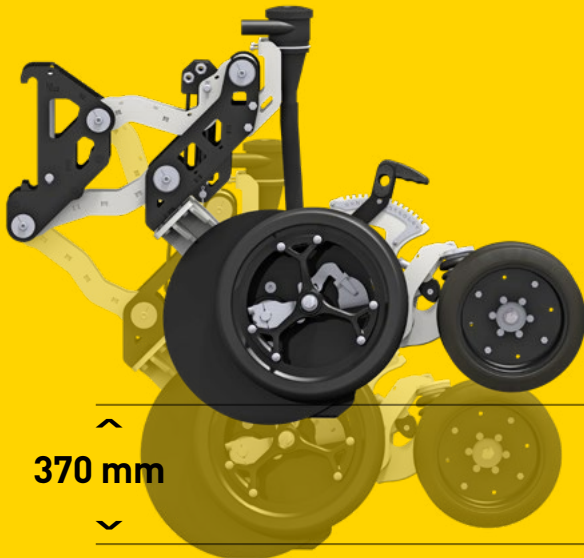


# WHY THE BOSS?

In both Conservation Tillage System (TCS) and No-Till, the main concern is the difficulty of penetration. In dry conditions, there is a challenge in furrow closure, and in wet conditions, there is an issue of straw at the bottom of the furrow. Our inspiration



comes from another disc seeder concept widely developed in Australia: the double-angled disc, which addresses several issues.



370 mm

370 mm travel for a more efficient ground tracking

## BOSS & BOSS HD A COMMON FOUNDATION: VERSATILITY AND PRECISION

The BOSS and BOSS HD share an innovative architecture that ensures precise and consistent seeding depth. The new row units feature a redesigned coulter to optimize seeding accuracy. An integrated drop tube enables separate liquid fertilization placement, positioned close to the main furrow.

The entire system is built on a reinforced parallelogram with increased travel (370 mm) and bearings, ensuring optimal ground contour following and enhanced durability. Additionally, an active downforce system maintains consistent depth in all conditions, whether in conservation tillage (TCS) or extreme no-till, while preserving soil structure.



# BOSS UNIT

## THE VERSATILE TOOL, EFFECTIVE IN ALL CONDITIONS

Designed for optimal performance in no-till seeding, the BOSS stands out with its compact design and carefully optimized angles, ensuring effective soil penetration while minimizing disturbance. This architecture enhances planting uniformity and preserves soil structure, promoting even crop emergence.

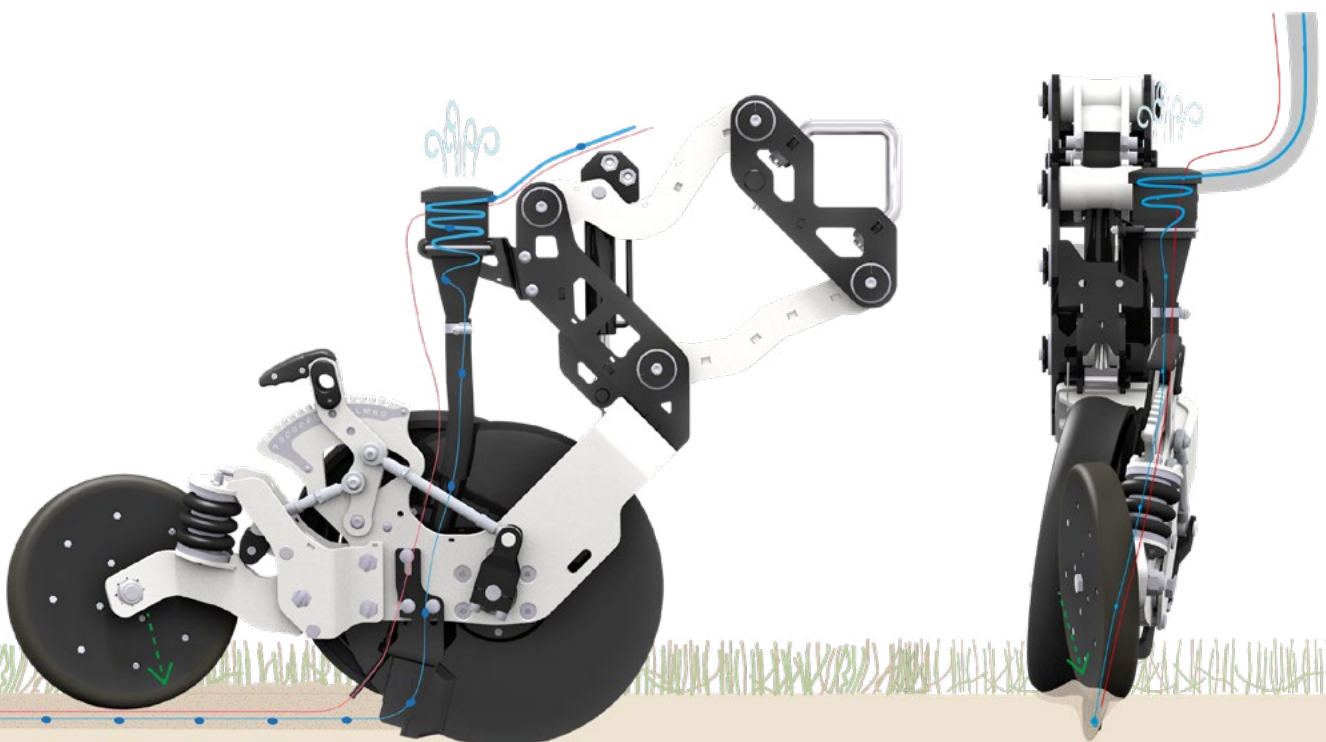
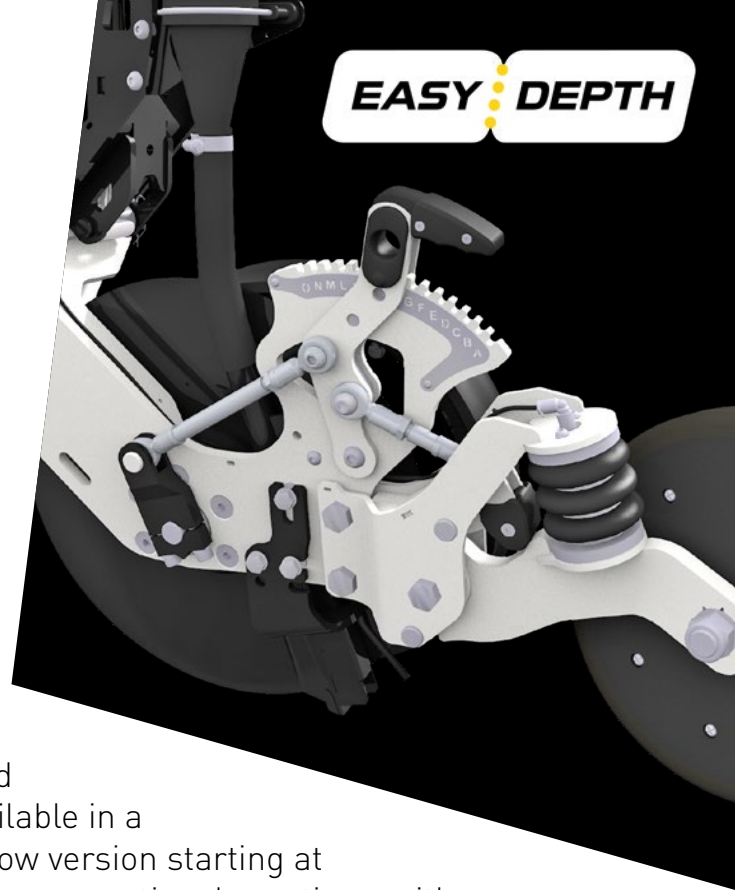
Thanks to its versatility, it adapts to both pre-worked soils and the more demanding conditions of direct seeding, ensuring precise seed placement and optimal residue management. Available in a single-row version starting at 25 cm or a double-row version starting at 16.7 cm, it also offers configurations suited to more conventional practices, with 20 cm row spacing in single-row and 15 cm in double-row setups.

Another important feature related to its design is the ability to operate at high speeds.

## INTELLIGENT ADJUSTMENT

The EasyDepth innovative depth adjustment system acts simultaneously on both wheels for a tool-free adjustment from 0.5 to 10 cm.

It allows fine-tuning via a side gauge for small seeds or through the press wheel in challenging conditions, ensuring optimal soil contact pressure with pneumatic assistance controlled directly from the cab.

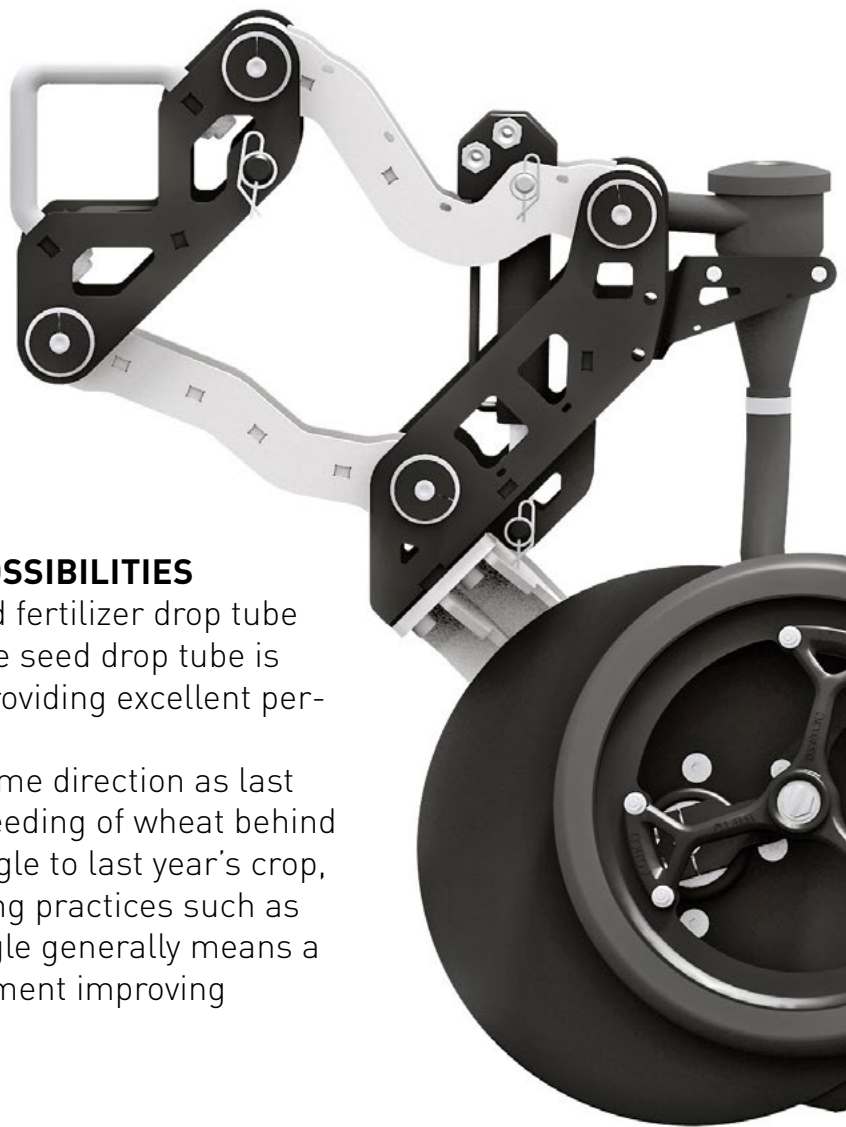


# THE SEEDING UNIT



## A NEW GEOMETRY

A more compact unit while retaining the robustness of the original unit. This compactness allows for mono-row mounting on a carried or trailed chassis at standard spacing, expanding the operability of this unit. The BOSS is capable of seeding in conservation tillage, No-Till, or conventional modes.



## NEW SEEDBOOT WITH EXPANDED POSSIBILITIES

A seed drop tube and an adjacent liquid fertilizer drop tube ensure optimal planting conditions. The seed drop tube is positioned in the shadow of the disc, providing excellent performance even in wet conditions.

This design allows for drilling in the same direction as last year's corn rows, for example, direct seeding of wheat behind corn. If you do not need to run at an angle to last year's crop, there is a better chance of implementing practices such as CTF (controlled traffic farming). No angle generally means a smoother travel and better seed placement improving emergence and therefore yields.



## AND ENHANCED LIFESPAN

The height-adjustable seedboot compensates for disc wear. The materials used and increased material thickness also extend its lifespan. A replaceable carbide insert thus extends the lifespan of the coulters and ensures consistent seed placement quality.

## HYDRAULICALLY CONTROLLED PARALLEL ARM: PERFECT TRACKING

The parallel arm with an extended range of 370mm is suspended by compensated hydraulic pressure, adjustable from the cabin.

## AIR RELEASE DEVICE

Standard equipment, it removes all the air from the pneumatic transport, allowing the seeds to fall by gravity to the bottom of the furrow to prevent bouncing.



## INTERNAL SCRAPER AS STANDARD

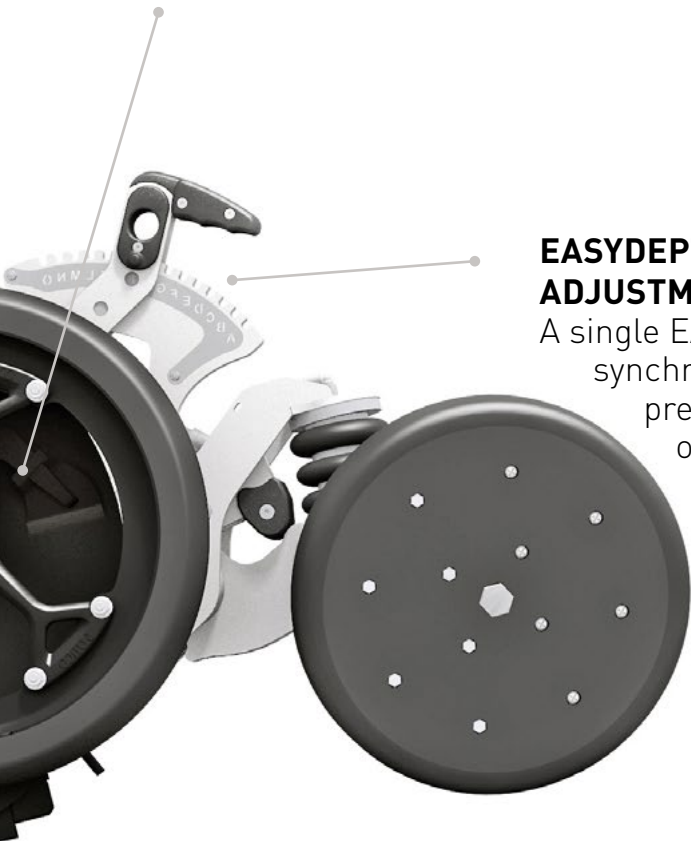
It ensures passage in the most challenging wet conditions.



## EASYDEPTH, AN INTELLIGENT DEPTH AND PRESSURE ADJUSTMENT SYSTEM

A single EASYDEPTH adjustment point synchronously adjusts the side wheel and pressure wheel, expanding seed placement options to adapt to the most extreme conditions.

The pneumatic pressure assistance of EASYDEPTH allows for very precise control to avoid excessive compaction or imperfect furrow closure.



## CLOSING WHEEL

The pressure wheel is a crucial component of your seeding success. Its function is to effectively close the furrow and, in the case of the BOSS, control the working depth.

Several types of wheels are available to perfectly adapt to your conditions.



# BOSS HD UNIT

## **NO-TILL SEEDING: A SUSTAINABLE AND HIGH-PERFORMANCE AGRONOMIC APPROACH**

No-till seeding, especially under cover crops, is an agronomic practice designed to preserve soil structure, enhance water retention, and boost biological activity. By eliminating soil disturbance, this technique improves water infiltration, reduces erosion, and optimizes nutrient availability. However, its success relies on precise seed placement and efficient residue management, as excess residues can hinder germination and uniform crop emergence.

The BOSS HD is engineered to meet these challenges with exceptional penetration capability, even in extreme conditions. Its design ensures an optimized furrow opening, minimizing soil disruption while maintaining excellent seed-to-soil contact. This promotes consistent and uniform crop establishment, a key factor in securing yields, particularly in an increasingly unpredictable climate.





## 10 YEARS OF PROVEN EXPERTISE

With over a decade of experience and continuous improvements, the BOSS HD is the result of rigorous development, shaped by field feedback and the demands of no-till farmers. Derived from the original BOSS concept, it has been specifically engineered to meet the challenges of advanced No-Till systems and cover crop seeding.

Thanks to its self-penetrating architecture, it has become a benchmark in no-till seeding, delivering proven performance in extreme conditions.

## EXCELLENCE IN EXTREME CONDITIONS

The BOSS HD is designed to ensure precise seed placement while minimizing residue interference in the furrow. Its self-penetrating system guarantees accurate soil opening, improving seed-to-soil contact and ensuring uniform emergence.

With smooth operation in the toughest conditions, it enables efficient seeding in compacted soils or heavy residue fields, without compromising planting uniformity. Additionally, its optimized furrow closing system minimizes evaporation and enhances moisture retention, a crucial advantage during drought periods.

Despite its specialization in No-Till systems, the BOSS HD retains the versatility that has made the range so renowned, allowing adaptation to various agricultural contexts while ensuring exceptional consistency.



# BOSS HD UNIT



## PERFECT GROUND FOLLOWING AND DOWNFORCE MANAGEMENT

The unit is mounted on a parallelogram. Down pressure is achieved via hydro-pneumatics. Connected to a sensor on the gauge wheel, the hydraulic down pressure allows ultimate control of the coulter pressure. This gives an ideal situation to monitor and control furrow compaction and depth.

## ROW CLEANING: A CLEAR FURROW

Farmers very rarely use precision planters without row cleaners in no-till so why do we do it with drills?

The Boss concept greatly reduces hair pinning when following a crop like wheat with chopped straw.

The use of row cleaners is optional but it allows the owner of the drill to choose which solution is correct on a given day, since no day is the same and no field is the same. They are controlled from the cabine.



## THE DISC & SEEDBOOT FOR A PERFECT MARRIAGE

The seedboot is placed in shadow of the disc. This allows excellent performance in wet sticky conditions. The seedboot is positioned to never touch the soil and such that the front of the disc is the only soil contact point. The wet soil is cleaned by an active scraper (the side wheel). The less static parts in contact with the soil results in far less risk of plugging/bunging. The concept allows for drilling in the same direction as last year's corn rows. If you do not need to run at an angle to last year's crop, there is a better chance of implementing practices such as CTF (controlled traffic farming). No angle generally means a smoother travel and better seed placement improving emergence and therefore yields.



## TWO GAUGES ARE POSSIBLE

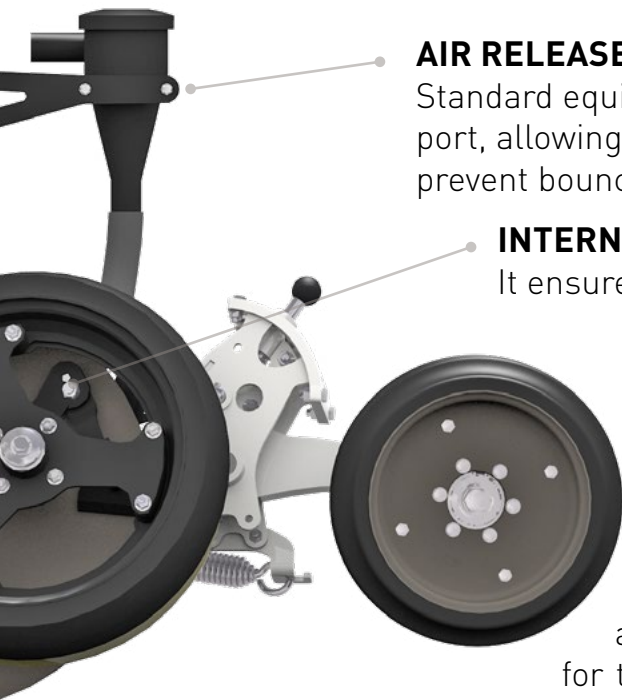
The gauge of the unit can be done either by the rear closing wheel or the side wheel. We intentionally chose to allow both. It all comes down to the same problem, no condition is the same, our customers must have flexibility.

### GAUGE WITH THE SIDE WHEEL

This position will be the most accurate to drill in the best conditions or on prepared soil where there is no problems of penetration or furrow closure (fields that may have been lightly tilled or are in very good condition post harvest). The wheel is close to the seed boot and so depth control is like a precision planter.

### GAUGE WITH THE CLOSING WHEEL

The position will be the more efficient and accurate in pure no-till conditions: The gauge wheel is the closing wheel which is running on a cleaned row to improve depth control. In no-till, a gauge wheel on the side runs on crop residue, which means that the depth can be inaccurate and is very susceptible to the condition of the field and what residue is left. As we have found residue effects furrow compaction and a solid side wheel can increase sidewall compaction so rear gauging is preferred in no-till.



#### AIR RELEASE DEVICE

Standard equipment, it removes all the air from the pneumatic transport, allowing the seeds to fall by gravity to the bottom of the furrow to prevent bouncing.

#### INTERNAL SCRAPER AS STANDARD

It ensures passage in the most challenging wet conditions.

## CLOSING FURROW MANAGEMENT

The closing wheel has a very important job to do, if incorrectly chosen it can have detrimental effects on the emergence and yield. On our unit it has two jobs, closing the slot but also most of the time gauging the seed depth. On the Boss unit the closing wheel, closing angle and the seeding depth is adjustable all without the need for tools, row by row. This gives the farmer ultimate control of the seed depth and closing furrow in any conditions or soil type (for example behind the tractor wheels).

To suit every soil type, different closing wheels are available and if none of them are your preferred the bracketry and axle is designed to suit the most common types of closing wheel available on the market.

Adjustable without tools



## SINGLE-ROW FRAME SPACING 20, 25, 33, 37 CM

Mounted single-row from 3 to 9 m  
Optionnal DSF 1000, 1600, 2200 2500 L  
front tank and small seed tank DS 200



Trailed single-row from 9 to 12 m  
Pressurized tank : 6400 and 3600 l tanks.



## DOUBLE-ROW FRAME SPACING 15, 16,7, 18,75, 20, 25 CM

Mounted double-row from 3 to 6 m  
Optionnal DSF 1500, 1600, 1800, 2200, 2500  
et 2600 L front tank or integrated tank of  
1500, 1600 l double or triple products



Trailed double-row from 3 to 4 m  
Integrated tank 1600, 2200, 3200 L  
double or triple products



Trailed double-row from 3 to 7 m  
From 1 to 3 pressurized tank of 1200 or 2000l (solid  
or liquid) and small seed tank of 280l



## LIQUID FERTILISATION EQUIPMENT

- Tank, Available capacity 700, 1200, 1500, 1800 or 2200L.



- Liquid fertilisation kit: WILGER Ball Flow Indicators + connections + 3 sets of nozzle at the user's choice + assembly



- LiquidXConect Regulation
  - 2 models, 15 or 75 l/mn
  - Fittings, couplings
  - GPS and on/off switch
  - Software for IOS or Android
  - ISOBUS Connexion







# MOUNTED SINGLE-ROW FROM 3 TO 9 M

## **BOSS**



An efficiently mounted frame, available with 25, and 33cm row spacings, up to 9 m in width, fixed or foldable. The front hopper is an essential addition to choose from the wide range of AGRISEM (from 1000 to 3200 L in single, double, or triple products).

### SPACING

ROW	25 CM	33 CM
<b>8</b>	<b>WIDTH (CM):</b>	<b>264</b>
<b>10</b>		<b>330</b>
<b>12</b>	<b>300</b>	<b>396</b>
<b>14</b>	<b>350</b>	<b>462</b>
<b>16</b>	<b>400</b>	<b>528</b>
<b>18</b>	<b>450</b>	<b>594</b>
<b>20</b>	<b>500</b>	<b>660</b>
<b>22</b>	<b>550</b>	<b>730</b>
<b>24</b>	<b>600</b>	<b>792</b>
<b>26</b>	<b>650</b>	
<b>27</b>		<b>890</b>
<b>28</b>	<b>700</b>	
<b>30</b>		
<b>32</b>	<b>800</b>	
<b>36</b>	<b>900</b>	

Fixed or Foldable Frame.....

.....  
 .....  
 .....

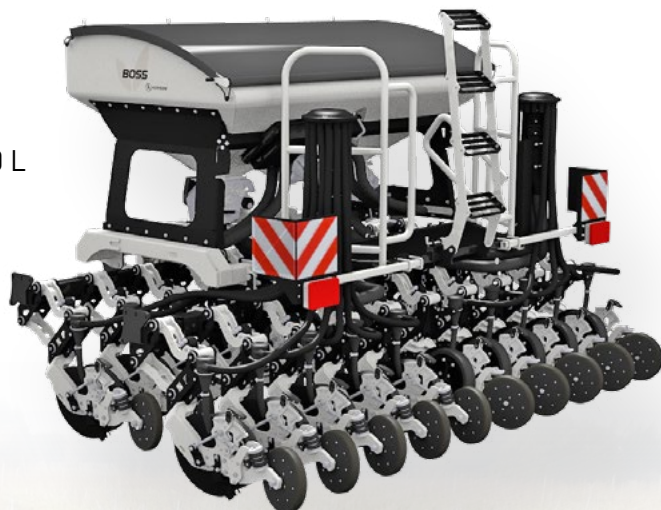
# MOUNTED DOUBLE-ROW

A versatile mounted chassis capable of sowing in all common row spacings, with options for the entire range of AGRISEM front hoppers or an integrated tank from 1500 to 1600 L for double or triple products.

Optional front hopper: from 1500 to 2600 L  
single, double, or triple compartment  
DSF2600 pressurized & compartmentalized into 1500+800+300 L  
DSF2500 pressurized & divided into 2x1250 L  
DSF2200 divided into 2x1100 L  
DSF1800 pressurized & compartmentalized into 1000+800 L  
DSF1600 divided into 2x800 L  
DSF1500 single product 1500 L

Integrated hopper for single or double products  
DS 1600 divided into 2x800 L  
DS 1500 single product 1500 L

Dosing units: electrically driven, pneumatic transport system  
Flap system for differentiated distribution of 2 products  
Regulation: ISOBUS





FROM 3 TO 6 M

**BOSS**



**SPACING**

ROW	15 CM	16,7 CM	18,75 CM	20 CM	25 CM
12	<b>WIDTH (CM):</b>				<b>300</b>
14					<b>350</b>
16			<b>300</b>	<b>320</b>	<b>400</b>
18		<b>301</b>	<b>338</b>	<b>360</b>	<b>450</b>
19	<b>285 Odd*</b>				
20	<b>300 Even</b>	<b>334</b>	<b>375</b>	<b>400</b>	<b>500</b>
22			<b>413</b>	<b>440</b>	<b>550</b>
24		<b>401</b>	<b>450</b>	<b>480</b>	<b>600</b>
26		<b>434</b>	<b>488</b>	<b>520</b>	
27	<b>405 Odd*</b>				
28	<b>420 Even</b>	<b>468</b>	<b>525</b>	<b>560</b>	
30	<b>450 Even</b>	<b>501</b>	<b>563</b>	<b>600</b>	
32		<b>534</b>	<b>600</b>		
34	<b>525 Odd*</b>	<b>568</b>			
35					
36		<b>601</b>			
38	<b>600 Even</b>				
40					

Odd configurations offer the possibility of sowing in 5 / 7 and 9 rows at 60 cm with the same machine.



## TRAILED DOUBLE-ROW BOSS 3/4M A SEED DRILL FULLY EQUIPPED AS STANDARD

The custom-made chassis has a rolling gauge of 2.99m for France and a maximum of 4m for abroad. The BOSS is fitted as standard with all options on the row. Like the big ones but small size!

It can be equipped with 3 different size of double product hopper, from 1600 to 3200L. An additional small hopper DS 200 and/or a 22L hopper for small seeds for incorporation in the dosing units can be fitted as well.

The doser is electrically driven with a pneumatic transport system and a shutter system for a differentiated distribution of 2 products.

The ISOBUS regulation associated with the GPS speed allow you to connect a controller according to your needs (A-Touch: Latest generation terminal, tactile with precision farming functions, or A-Manager), and combine it with a radar and a 120 ° infrared camera.



FROM 3 TO 4 M

# BOSS



## SPACING

ROW	15CM	16,7 CM	18,75 CM	20 CM	25 CM
12	WIDTH (CM):				300
14					
16			300		400*
18		301			
20	300			400*	
22			413*		
24		401*			
26	390				

Divided hopper: from 1600 to 3200L

DS3200 2x1600L with x 2 dosing unit (4xØ70mm)

DS2200 2x1100L with x 2 dosing unit (4xØ70mm)

DS1600 2x800L with x 2 dosing unit (4xØ70mm)

Independent distribution of 2 products and distribution heads

Electric dosing unit, pneumatic distribution by air flow

Electronic or ISOBUS control computers

Compatible with DGPS receiver

Transport width: 2,99m

\* Some widths are not approved for road use depending on the country.



# TRAILED DOUBLE-ROW BOSS 3/7M A VERSATILE SCALABLE SEEDER THAT ACCOMPANIES YOU IN YOUR DEVELOPMENT

Its design is based on the modularity of its chassis. Available as standard in 3m you can upgrade your BOSS by adding wing extensions to reach up to 7m90 wide!

Available with 1, 2, or 3 tanks of 1,200 or 2,000 liters, plus a 280-liter tank for small seeds, the system offers exceptional flexibility. You can start with a single central hopper and later add additional seed, small seed, or solid or liquid fertilization tanks (front or rear) according to your needs and development schedule.

The elements, fully adjustable without tools, allow flexibility of use and ease of settings to adapt your work very precisely according to the field conditions encountered.



FROM 3 TO 7M

# BOSS



## SPACING

ROW	16,7CM	18,75CM	20CM	25CM
12	WIDTH (CM):			300
14				350
16		300	320	400
18	301	338	360	450
20	334	375	400	500
22		413	440	550
24	401	450	480	600
26	434	488	520	650
28	468	525	560	700
30	501	563	600	750
32	534	600	640	
34	568	638	680	
36	601	675	720	
38	635	713	760	
40	668	750		
42	701	788		
44	735			
46	768			

Pressurized hoppers: 1,2 or 3 hoppers of 1200 or 2000 liters each. Hopper small seed: 200 litres  
 Electronic regulation: Standard with hoppers - ISOBUS Compatible  
 Transport width: 2,99m



# TRAILED SINGLE-ROW BOSS 9/12M THE LARGE-SIZED SEED DRILL FOR LARGE SOWING

From 7m to 12m, you take advantage of its large carrying capacities to sow very large areas and achieve significant economies of scale.

It is designed for large fields and integrates AGRISEM's advanced no-till seeding technologies, including:

- Double-angled disc for optimized soil penetration
- Hydraulic downforce with a high-travel parallelogram, controlled by compensated hydraulic pressure and adjustable from the cab
- EASYDEPTH system, synchronizing the side gauge wheel and press wheel through a single adjustment point, expanding furrow-closing settings to adapt to different conditions
- Liquid fertilization options, with additional tank capacity and the LiquidXConnect regulation system
- Left/right half-section shutoff for precise control

Despite its size, the Big BOSS remains easy to use on a daily basis with its hydraulically-controlled folding maneuvers and its 2m99 width for road transport.



FROM 9 TO 12M

# **BOSS**



## **SPACING**

<b>ROW</b>	<b>25CM</b>	<b>33CM</b>
<b>28</b>	<b>WIDTH (CM):</b>	<b>891</b>
<b>30</b>		<b>957</b>
<b>32</b>		<b>1023</b>
<b>34</b>	<b>850</b>	
<b>36</b>	<b>900</b>	<b>1155</b>
<b>38</b>	<b>950</b>	
<b>40</b>	<b>1000</b>	
<b>42</b>	<b>1050</b>	
<b>44</b>		
<b>46</b>		
<b>48</b>	<b>1200</b>	

Pressurized hoppers: 2 hoppers of 6400 & 4700 liters each.  
Electronic regulation: Standard with hoppers - ISOBUS Compatible  
Transport width: 2,99m

535 rue Pierre Levasseur - CS 60263  
44158 ANCENIS - FRANCE

T. +33 (0) 2 51 14 14 40

[www.agrisem.com](http://www.agrisem.com)  
[agrisem@agrisem.com](mailto:agrisem@agrisem.com)

*#YellowTeam*



Your dealer: